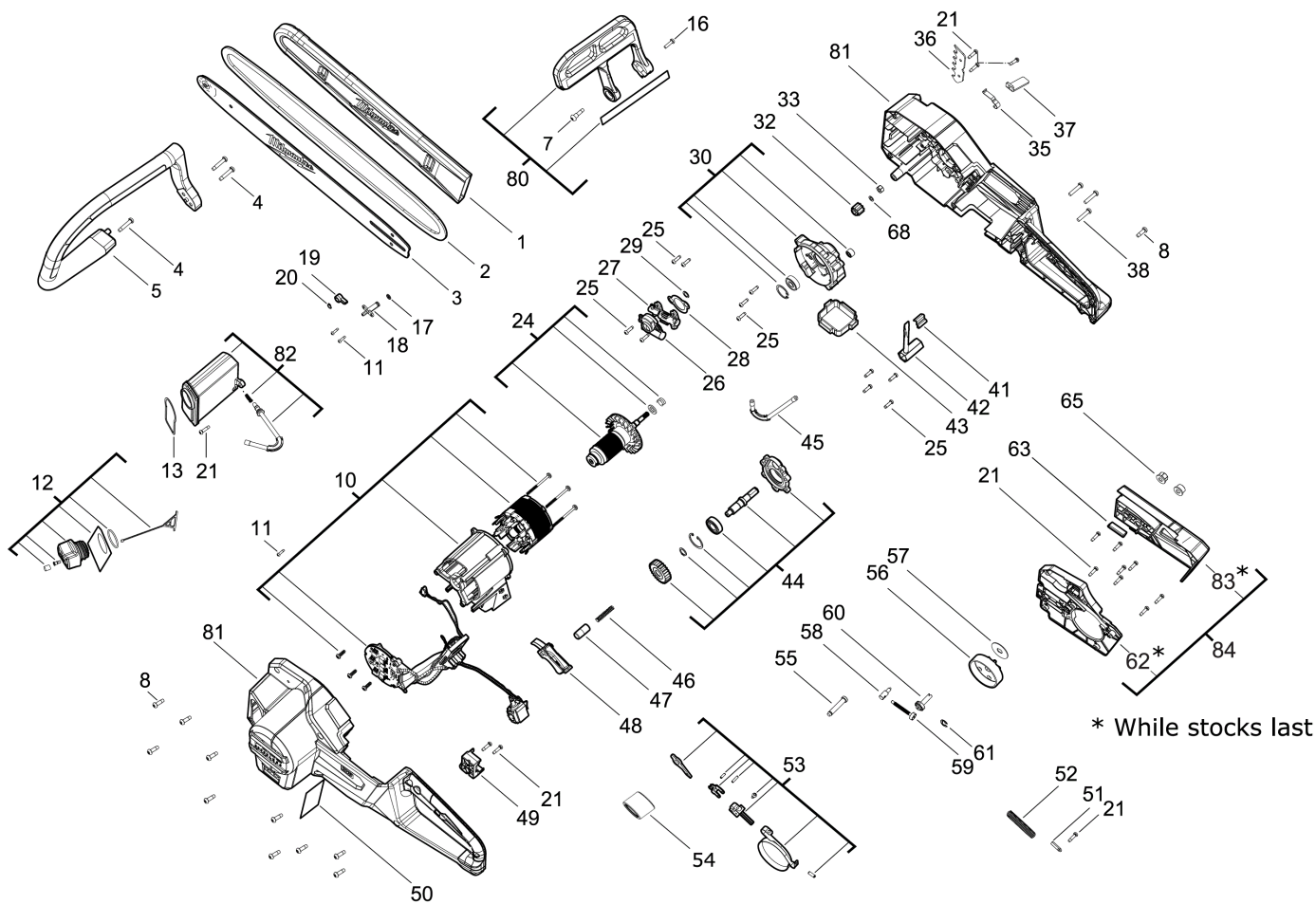


M18FCHS35-0 FUEL CHAIN SAW 35CM XXX

4933479678 - M18FCHS35-0 - 4000491102





Position	Quantity	Description	Part number	EAN
0001 1	1	SCABBARDS	4931480244	4058546422592
0004 2	3	SCREW	4931454838	4058546020125
0005 3	1	HANDLE	4931465907	4058546240073
0007 4	1	SCREW	4931465908	4058546240080
0008 5	11	SCREW	4931465909	4058546240097
0010 6	1	ELECTRONIC	4931465910	4058546240103
0011 7	3	SCREW	4931436686	4002395258260
0012 8	1	CAP	4931480245	4058546422608
0013 9	1	SEAL RING	4931465912	4058546240127
0016 10	1	SCREW	4931465913	4058546240134
0017 11	1	O-RING	4931465914	4058546240141
0018 12	1	CONNECTOR	4931465915	4058546240158
0019 13	1	SWITCH	4931465916	4058546240165
0020 14	1	HOLDING RING	4931465917	4058546240172
0021 15	15	SCREW	660024030	4002395826957
0024 16	1	ROTOR	4931465918	4058546240189
0025 17	11	SCREW	4931435150	4002395859948
0026 18	1	DUST CAP	4931465919	4058546240196
0027 19	1	OIL PUMP	4931465920	4058546240202
0028 20	1	SEAL	4931465921	4058546240219
0029 21	1	WASHER	4931465922	4058546240226
0030 22	1	GEAR BOX	4931465923	4058546240233
0032 23	1	PINION	4931465924	4058546240240
0033 24	1	NUT	4931465925	4058546240257
0035 25	1	SPRING	4931465926	4058546240264
0036 26	1	WASHER	4931465927	4058546240271
0037 27	1	CORE LIFTER RING	4931465928	4058546240288
0038 28	3	SCREW	4931465929	4058546240295
0041 29	1	WRENCH	4931465930	4058546240301
0042 30	1	WRENCH	4931465931	4058546240318
0043 31	1	WIRE STRAP	4931465932	4058546240325
0044 32	1	GEAR BOX COVER	4931465933	4058546240332
0045 33	1	WIRE	4931465934	4058546240349
0046 34	1	SPRING	4931465935	4058546240356
0047 35	1	BUTTON	4931465936	4058546240363
0048 36	1	TRIGGER	4931465937	4058546240370
0049 37	1	SWITCH RETAINER	4931465938	4058546240387
0050 38	1	RATING PLATE	4931480246	4058546422615
0051 39	1	RETAINING PLATE	4931465940	4058546240400
0052 40	1	SPRING	4931465941	4058546240417
0053 41	1	STOP WASHER	4931465942	4058546240424
0054 42	1	BUSH	4931465943	4058546240431
0055 43	1	BOLT	4931465944	4058546240448
0056 44	1	DRIVING ROLL	4931465945	4058546240455
0057 45	1	WASHER	4931465946	4058546240462
0058 46	1	SCREW	4931465947	4058546240479
0059 47	1	SCREW	4931465948	4058546240486
0060 48	1	SCREW	4931465949	4058546240493
0061 49	1	SLEEVE	4931436401	4002395250295
0062 50	1	COVER	Item discontinued(4931472746)	

Position	Quantity	Description	Part number	EAN
0063 51	1	BRACKET	4931494478	4058546470500
0065 52	2	NUT	4931465951	4058546240516
0068 53	1	WASHER	4931465952	4058546271695
0080 54	1	HANDLE	4931480247	4058546422622
0081 55	1	HOUSING	4931465954	4058546271718
0082 56	1	TANK	4931465955	4058546271725
0083 57	1	COVER	Item discontinued(4931465956)	
0084 58	1	COVER	4931494479	4058546470517
0002 59	1	SAW CHAIN FOR M18FCHS35	4932479820	4058546376147
0003 60	1	GUIDE BAR 14IN/35CM M18 FCHS35	4932480172	4058546404574